

# WASCOMAT FLATWORK IRONERS

## IC3316, IC3320



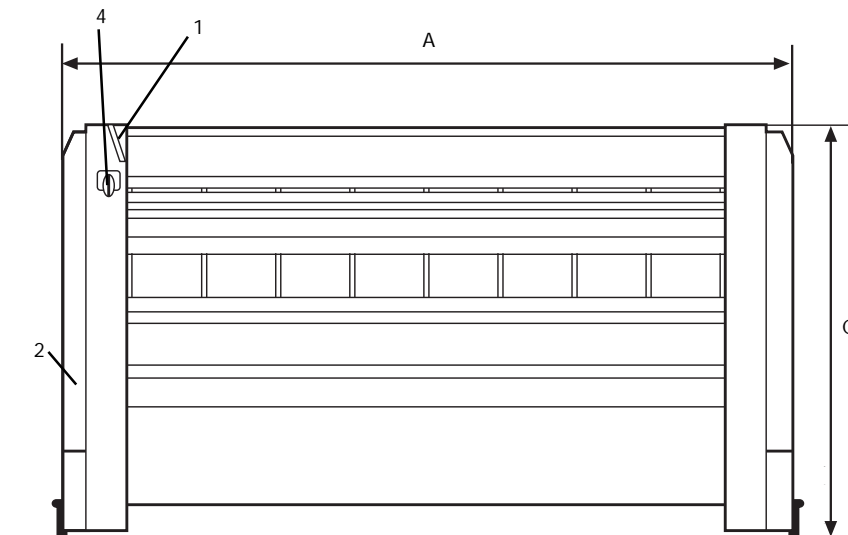
### Features and benefits

- Durable ironing belts of Nomex withstand temperatures above 200°C/392°F.
- Return feed: can be installed close to a wall for space saving.
- Finger guard protection.
- Can function as a dryer/ironer.
- Patented ceramic burner for increased energy savings.
- Stainless steel cylinder.
- Available in gas only.

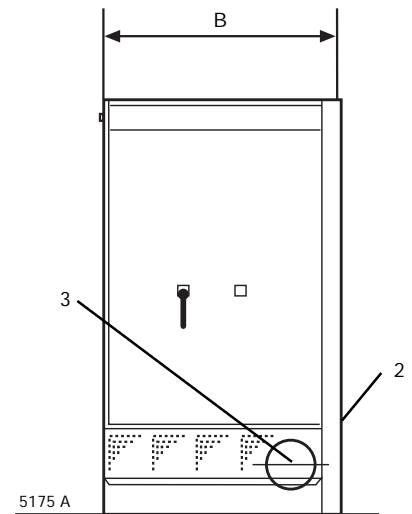
Main specifications		IC3316	IC3320
Capacity*, max. water evaporation	l/h/gal/h	19.5/5.2	24.5/6.5
Roller,			
diameter	ø mm/in	325/12 <sup>13</sup> / <sub>16</sub>	325/12 <sup>13</sup> / <sub>16</sub>
length	mm/in	1650/64 <sup>15</sup> / <sub>16</sub>	2065/81 <sup>5</sup> / <sub>16</sub>
Ironing speed**	m/min/in/min	0.5-5.5/19 <sup>11</sup> / <sub>16</sub> -216 <sup>9</sup> / <sub>16</sub>	0.5-5.5/19 <sup>11</sup> / <sub>16</sub> -216 <sup>9</sup> / <sub>16</sub>
Heating,			
gas	Btu/h (kW)	68240 (20)	85330 (25)
* 50% residual moisture content cotton 180 g/m <sup>2</sup> and 100% roller utilization (ISO 9398).			
** Other speed range available on request.			

Electrical connections*			IC3316	IC3320
Heating Voltage				
Gas	230V 3 AC 60 Hz	kW (A)	0.5 (12)	0.5 (12)
	380-415V 3 AC 60 Hz	kW (A)	0.5 (12)	0.5 (12)
<b>Gas and exhaust connections</b>				
Exhaust, outlet air		∅ mm/in m <sup>3</sup> /h/cfm	125/4 <sup>15</sup> / <sub>16</sub> 426/251	125/4 <sup>15</sup> / <sub>16</sub> 515/303
<b>Sound levels</b>				
Airborne sound level		dB(A)	65	65
<b>Heat emission</b>				
% of installed power, max			2	2
<b>Shipping data</b>				
		net, kg/lb	300/661	330/727
		crated, kg/lb	445/981	480/1058
		boxed, kg/lb	475/1047	520/1146
Shipping volume		m <sup>3</sup> /cu yds	2.7/3.5	3.2/4.2
<b>Dimensions in mm/in</b>				
A	Width		2030/79 <sup>15</sup> / <sub>16</sub>	2445/96 <sup>1</sup> / <sub>4</sub>
B	Depth		680/26 <sup>3</sup> / <sub>4</sub>	680/26 <sup>3</sup> / <sub>4</sub>
C	Height		1145/45 <sup>1</sup> / <sub>16</sub>	1145/45 <sup>1</sup> / <sub>16</sub>
1 Control panel 2 Electrical connection 3 Steam & burnt gas exhaust 4 Main switch				

\* Other voltages available.



Front



Right side

**Wascomat**  
www.wascomat.com

1-800-645-2204

461 Doughty Blvd., Inwood, L.I., N.Y. 11096-0338 • Telephone: 516-371-4400.  
 Sales and Administration FAX (US and Canada): 516-371-4204 • e-mail: sales@wascomat.com  
 Parts and Service FAX (US and Canada): 516-371-4029 • e-mail: parts@wascomat.com  
 En Mexico: Llame gratis a este numero 010-800-010-1010

We reserve the right to alter specifications without notice.

Art. No. 438 9085-61/03 01.24