

# WASCOMAT FLATWORK IRONERS

IB2310, IB2314, IB2316



## Features and benefits

- Return feed system.
- Finger guard protection.
- Adjustable temperature setting.
- Roller is covered with steel wool.
- Ergonomic control pedal.
- Available in electric only.

## Main options

- Coin meter operation.
- Variable speed control.
- Nomex felt padding.

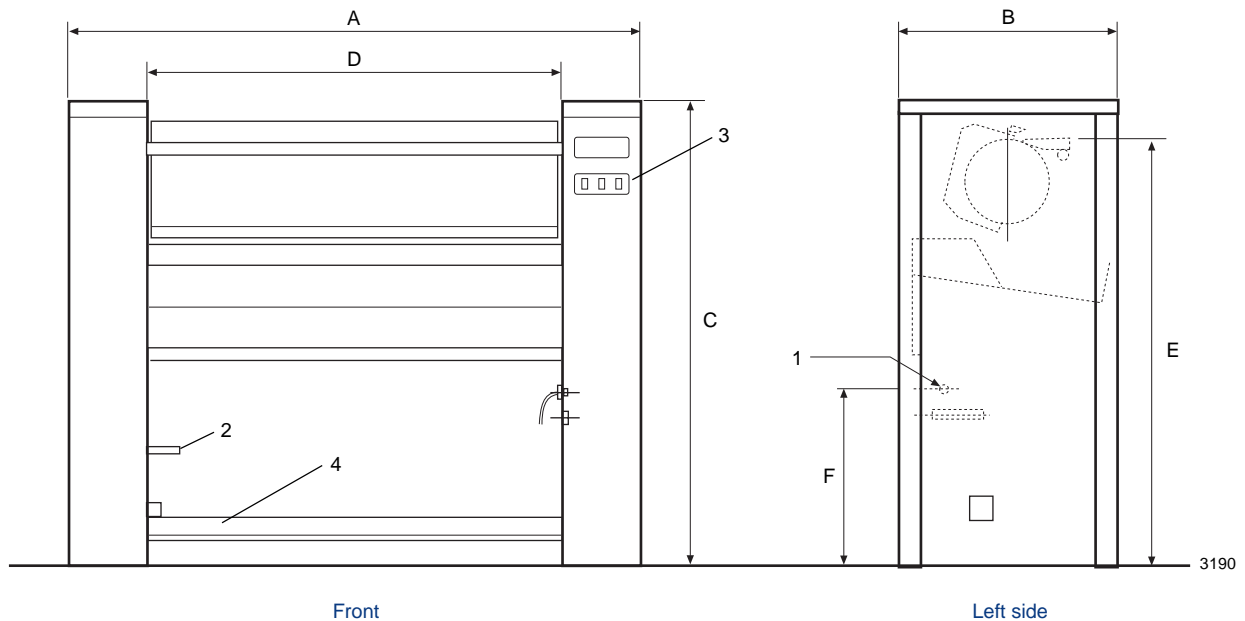
Main specifications		IB2310	IB2314	IB2316
Capacity*, max. water evaporation	l/h/gal/h	5/1.3	6.8/1.8	8.1/2.2
Roller,				
diameter	ø mm/in	230/9 1/16	230/9 1/16	230/9 1/16
length	mm/in	1000/39 3/8	1400/55 1/8	1650/64 15/16
Ironing speed	m/min/in/min	3.4/133 7/8	3.4/133 7/8	3.4/133 7/8
Heating, electricity	kW	5.0	7.2	8.4

\* 20% residual moisture content and 100% roller utilization (ISO 9398).

Electrical connections*		IB2310	IB2314	IB2316
Voltage				
230-240V 3 AC 60 Hz	kW (A)	5.2 (16)	7.5 (20)	-
230V 1 AC 60 Hz	kW (A)	5.2 (32)	7.5 (32)	-
<b>Connections</b>				
Exhaust, outlet	ø mm/in	-	40/1 <sup>9</sup> / <sub>16</sub>	40/1 <sup>9</sup> / <sub>16</sub>
<b>Sound levels</b>				
Airborne sound level	dB(A)	52	54	54
<b>Heat emission</b>				
% of installed power		3	3	3
<b>Shipping data</b>				
	net, kg/lb	120/264	140/309	184/406
	crated, kg/lb	145/320	170/375	185/408
Shipping volume	m <sup>3</sup> /cu yds	0.91/1.2	1.16/1.5	1.34/1.75
<b>Dimensions in mm/in</b>				
<b>A</b> Width		1395/54 <sup>15</sup> / <sub>16</sub>	1795/70 <sup>11</sup> / <sub>16</sub>	2045/80 <sup>1</sup> / <sub>2</sub>
<b>B</b> Depth		510/20 <sup>1</sup> / <sub>16</sub>	510/20 <sup>1</sup> / <sub>16</sub>	510/20 <sup>1</sup> / <sub>16</sub>
<b>C</b> Height		1025/40 <sup>3</sup> / <sub>8</sub>	1025/40 <sup>3</sup> / <sub>8</sub>	1025/40 <sup>3</sup> / <sub>8</sub>
<b>D</b>		1055/41 <sup>9</sup> / <sub>16</sub>	1455/57 <sup>5</sup> / <sub>16</sub>	1705/67 <sup>1</sup> / <sub>8</sub>
<b>E</b>		940/37	940/37	940/37
<b>F</b>		420/16 <sup>9</sup> / <sub>16</sub>	420/16 <sup>9</sup> / <sub>16</sub>	420/16 <sup>9</sup> / <sub>16</sub>

**1** Electrical connection  
**2** Bed release lever  
**3** Control panel  
**4** Control pedal

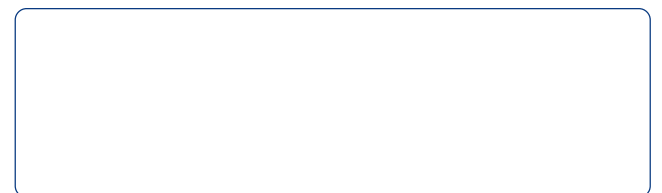
\* Other voltages available.



**Wascomat**  
www.wascomat.com

1-800-645-2204

461 Doughty Blvd., Inwood, L.I., N.Y. 11096-0338 • Telephone: 516-371-4400.  
 Sales and Administration FAX (US and Canada): 516-371-4204 • e-mail: sales@wascomat.com  
 Parts and Service FAX (US and Canada): 516-371-4029 • e-mail: parts@wascomat.com  
 En Mexico: Llame gratis a este numero 010-800-010-1010



We reserve the right to alter specifications without notice.

Art. No. 438 9082-92/03 01.24