

WASCOMAT FLATWORK IRONERS

IC5019 R/LF, IC5021 R/LF, IC5025 R/LF,
IC5028 R/LF, IC5032 R/LF



Features and benefits

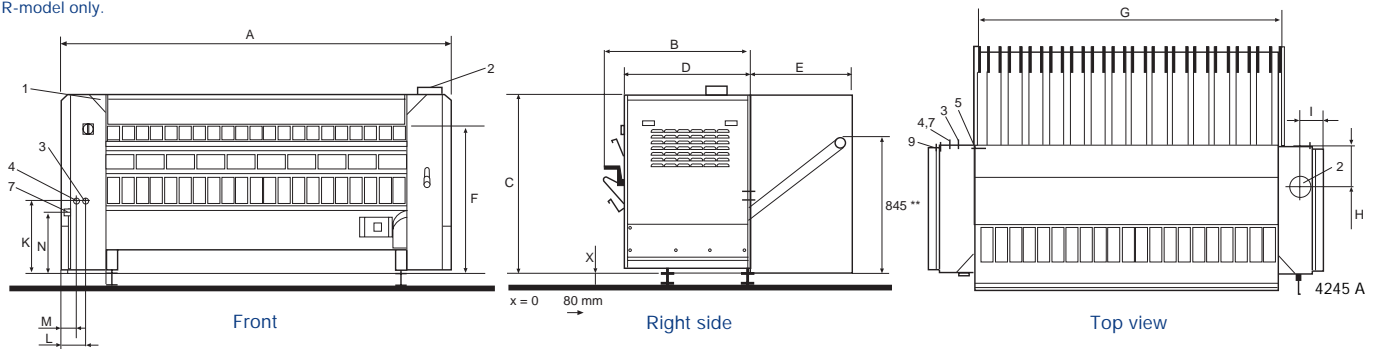
- LF-model with automatic length-folding device, labor saving.
- R-model with front or rear delivery of linen.
- Durable ironing belts of Nomex withstand temperatures above 200°C/392°F.
- Return feed: can be installed close to a wall for space saving.
- Stainless steel cylinder.
- Electronic control panel for automatic operation.
- Finger guard protection.
- Maintenance free ceramic burner for increased gas saving.
- Air circulation device on electrical heated models for homogeneous cylinder temperature.
- Can function as a dryer/ironer.
- Available in gas, steam, electric.

Main specifications		IC5019	IC5021	IC5025	IC5028	IC5032
Capacity*, max. water evaporation**	l/h gal/h	32/55/34 8.5/15/9	35/60/34 9.2/15.9/9	42/72/46 11/19/12.2	47/81/50 12.4/21.4/13.2	51/93/59 13.5/24.6/15.6
Roller,						
diameter	∅ mm/in	460/18 1/8	460/18 1/8	460/18 1/8	460/18 1/8	460/18 1/8
length	mm/in	1910/75 3/16	2120/83 7/16	2540/100	2750/108 1/4	3170/124 13/16
Ironing speed	m/min in/m	1.65-5.6 65-220	1.65-5.6 65-220	1.65-5.6 65-220	1.65-5.6 65-220	1.65-5.6 65-220
Heating, electricity	kW	30	33	39	43	49
steam (900 kPa)	kg/h/lb/h	85/187	95/209	114/250	124/273	141/310
gas	Btu/h	133100	150100	177400	191100	221800
* 50% residual moisture content cotton 180g/m ² and 100% roller utilization (ISO 9398-1).						
** El/steam/gas.						

Electrical connections*			IC6 5019	IC6 5021	IC6 5025	IC6 5028	IC6 5032
Heating Voltage							
EI	230V 3 AC 60 Hz	kW(A)	30.7 (80)	33.9 (100)	40.2 (125)	43.3 (125)	49.6 (150)
Gas, steam							
	230V 3 AC 60 Hz	kW(A)	1 (16)	1 (16)	1 (16)	1 (16)	1 (16)
Steam, gas and air connections							
Steam	DN/in		20/ 3/4	20/ 3/4	20/ 3/4	20/ 3/4	20/ 3/4
Rec. steam pressure	kPa/psi		900/130	900/130	900/130	900/130	900/130
Condensate	DN/in		10/ 3/8	10/ 3/8	10/ 3/8	10/ 3/8	10/ 3/8
Gas	DN/in		20/ 3/4	20/ 3/4	20/ 3/4	20/ 3/4	20/ 3/4
Gas pressure,							
natural gas (G20/G25)	Pa		2000/2500	2000/2500	2000/2500	2000/2500	2000/2500
	in. H ₂ O		8-10	8-10	8-10	8-10	8-10
propane (G31)	Pa		3000	3000	3000	3000	3000
	in. H ₂ O		12	12	12	12	12
Exhaust	ø mm/in		160/6 5/16	160/6 5/16	160/6 5/16	160/6 5/16	160/6 5/16
Evacuated air	m ³ /h/cfm		830-940/489-553	830-940/489-553	830-940/489-553	830-940/489-553	830-940/489-553
Pressure drop	max. Pa/in wc		200/0.8	200/0.8	200/0.8	200/0.8	200/0.8
Sound levels							
Airborne sound level		dB(A)	65	65	65	65	65
Heat emission							
% of installed power, max.			3	3	3	3	3
Shipping data (LF)							
		net, kg	560/670	600/710	685/785	750/845	830/920
		net, lb	1232/1474	1320/1562	1507/1727	1650/1859	1826/2024
		crated, kg	820/925	850/965	950/1100	1100/1200	1180/1300
		crated, lb	1805/2035	1870/2123	2090/2420	2420/2640	2596/2860
Shipping volume, Normal/LF/R		m ³	4.6/7.46/5.2	5/7.93/5.6	5.69/9.04/6.38	6.08/9.57/6.76	6.74/10.7/7.56
		cu yds	6/9.7/6.8	6.5/6.1/7.3	7.4/11.8/14	7.9/12.4/8.8	14/8.8/9.8
Dimensions in mm/in							
A	Width		2565/101	2775/109 1/4	3195/125 13/16	3405/134 1/16	3825/150 9/16
B	Depth		950/37 3/8	950/37 3/8	950/37 3/8	950/37 3/8	950/37 3/8
	Depth, LF		1055/41 9/16	1055/41 9/16	1055/41 9/16	1055/41 9/16	1055/41 9/16
C			1270/50	1270/50	1270/50	1270/50	1270/50
D			845/33 1/4	845/33 1/4	845/33 1/4	845/33 1/4	845/33 1/4
D (LF)			950/37 3/8	950/37 3/8	950/37 3/8	950/37 3/8	950/37 3/8
E (R-model)			540/21 1/4	540/21 1/4	540/21 1/4	540/21 1/4	540/21 1/4
F			1050/41 5/16	1050/41 5/16	1050/41 5/16	1050/41 5/16	1050/41 5/16
G (R-model)			1910/75 3/16	2120/83 7/16	2540/100	2750/108 1/4	3170/124 13/16
H			265/10 7/16	265/10 7/16	265/10 7/16	265/10 7/16	265/10 7/16
I			170/6 11/16	170/6 11/16	170/6 11/16	170/6 11/16	170/6 11/16
K			560/22 1/16	560/22 1/16	560/22 1/16	560/22 1/16	560/22 1/16
L			145/5 11/16	145/5 11/16	145/5 11/16	145/5 11/16	145/5 11/16
M			100/4	100/4	100/4	100/4	100/4
N			450/17 11/16	450/17 11/16	450/17 11/16	450/17 11/16	450/17 11/16
1	Control panel			5 Electrical connection			
2	Exhaust connection			6 Compressed air			
3	Steam			7 Gas			
4	Condensate						

* Other voltages available.

** R-model only.



Wascomat
www.wascomat.com

1-800-645-2204

461 Doughty Blvd., Inwood, L.I., N.Y. 11096-0338 • Telephone: 516-371-4400.
Sales and Administration FAX (US and Canada): 516-371-4204 • e-mail: sales@wascomat.com
Parts and Service FAX (US and Canada): 516-371-4029 • e-mail: parts@wascomat.com
En Mexico: Llame gratis a este numero 010-800-010-1010

We reserve the right to alter specifications without notice.